



PAPERLESS RECORDER VM7000

Simple & Smart

Easy Operation by Touch Panel Powerful and Cost Effective



Features

- Various display by Touch Panel 5.7 Inch (TFT)
- Universal Input and Range
- Various Input 3, 6, 9, 12 CH
- PC support software supplied as standard
- Large capacity storage by SD/SDHC card (Max 32GB)
- IP65: Dust- Proof, Water- Proof
- Ethernet function as standard

■ SPECIFICATIONS

Input	No. of points	3, 6, 9, 12 points *When the DI/DO or Relay option is mounted, cannot be selected 12.
	Measuring cycles	100ms
	Recording cycle	1sec to 60mins (Main/Sub record) 100ms can be selected (at the Sub record).
	Input signal	Thermocouple : (K, E, J, T, C, N, PLII, U, L, R, S, B, PR40-20, Au-Fe) Resistance bulb : (Pt100, JPt100) DC voltage : (-10 to +10mV, 0 to 20mV, 0 to 50mV, -0.2 to +0.2V, -1 to +1V, -10 to +10V, 0 to 5V) DC current : (External shunt resistance)(4-20mA)
Performance	Indication accuracy	±(0.1%+1digit) of input range
Display	LCD	5.7 Inch TFT(QVGA) with Touch Panel
	Display contents	<ul style="list-style-type: none"> •Trend display (in vertical and horizontal direction) selected in the refreshment cycles of 1 sec to 60 minutes. Scale display/non-display selectable •Bar graph (refresh cycle: 1 second) •Digital display (refresh cycle: 1 second) •Event summary display (alarm and message summary) •Ethernet log display •Historical trend display

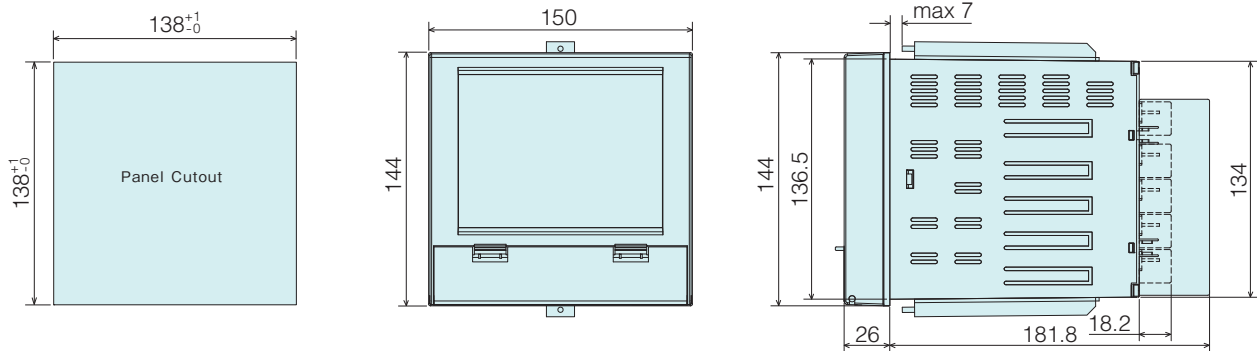
Recording function	Recording medium	SD card (Max 2GB) SDHC card (Max 32GB)
	Internal memory	About 100MB
	Recording method	Writing starts in fixed cycles by turning ON the REC key on the front panel. Data is recorded in a new file every time the recording starts.
	Data save cycles	1Hour to 1Year
	Data format	CSV 120 bytes per sampling (at 6 channels input) Binary (Data cannot be read directly into Excel, etc.) 32 bytes per 1 sampling (at 6 channels input)
Alarm function	Number of settings	Up to 4 alarms for each channel are settable
	Output	Number of points; 1 (open collector)
Communication	Ethernet 10BASE-T	HTTP server, FTP server, and Modbus/TCP protocol
General	Mounting Method	Panel-mounted (vertical panel)
	Material	Polycarbonate Glass 10% UL94-V0 (case, bezel)
	External dimensions	<Panel mount> 150(W) × 144(H) × 181.8(D) mm
	Weight	About 0.9kg (3 channels), About 1.0kg (6 channels)
	Power supply voltage	100V to 240V AC, 50/60 Hz
	Power consumption	15VA max.(at 100V AC), 25VA max.(at 240V AC)
Option	Relay card	Relay : 6 points (1a contacts)
	DI/DO card	DI/DO: input 9 points / output 12 points (open collector)
	Communication	RS-485 (Modbus RTU protocol)

■ MODEL CODE NUMBER

VM70 A 00

- [Number of input points] **03** : 3points
06 : 6points
09 : 9points
12 : 12points
- [Option card] **0** : None
1 : DI/DO (Note)
2 : Relay (Note) *When DI/DO or Relay is mounted, cannot be selected 12 channel.
- [Communication] **0** : None
1 : RS-485

■ DIMENSIONS (mm)



Do not install this device before consulting instruction manual



OHKURA ELECTRIC CO., LTD.
 Head Office / Factory Saitama, JAPAN
 Sales Offices Tokyo, Osaka, Nagoya, Kyushu, Tohoku
 URL <http://www.ohkura.co.jp/>
 e-mail (in English) intsales@ohkura.co.jp

Specifications are subject to change without notice.
 For further information, a quotation or a demonstration please contact to: